

ESS 2000/2002

EcoWater Series • Water Conditioners

Clean water.
Green future.



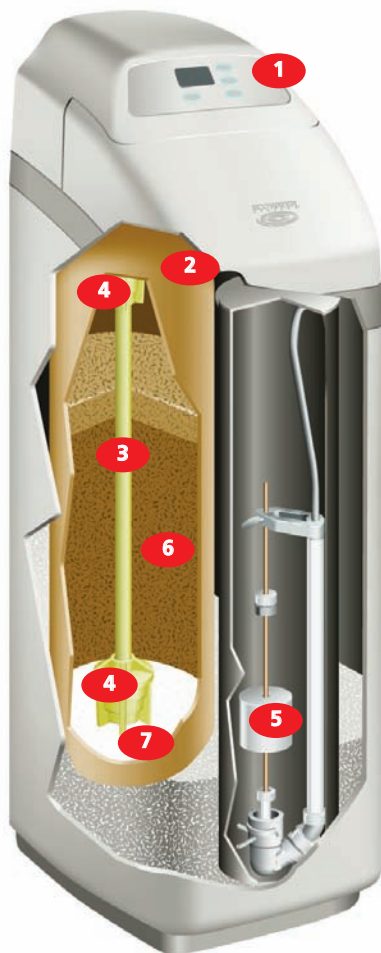
The Dependable Way To Enjoy Better Water

Bypass Valve (optional)

Brass-free and lead-free bypass valve lets you manually bypass the system.

- 1 Solid-State Controls**
Solid-state electronics. Control regeneration frequency.
- 2 Multi-Wrap Reinforced Resin Tank**
High Density Polyethylene (HDPE) liner with an epoxy fiberglass composite winding. Doesn't deteriorate, rust, or corrode.
- 3 Full One-Inch Riser**
One-inch diameter for increased flow rates, which ensures that household demand is adequately met.
- 4 Self-Cleaning Distributors**
Distributors exhibit excellent flow rates and are cleaned automatically by counter-current water pressure.
- 5 Positive-Action Brine Valve**
Snap-together construction eliminates use of solvents that may contaminate water. Positive action helps prevent overfilling.
- 6 Patented Stratified Resin Bed**
Patented mix of stratified resins provides superior filtration and iron removal without sacrificing flow rate capability.
- 7 Washed Quartz Underbedding**
Washed quartz doesn't impart hardness into softened water and allows for more powerful "piston effect" during counter-current cycles.

24-Volt Transformer – ENERGY STAR® qualified



ECOWATER
SYSTEMS®



SINCE 1925.

ECOWATER.CA

ESS 2000/2002

Specifications

| | ESS 2000R30 | ESS 2002R40 |
|--|-----------------------|-----------------------|
| Hardness Capacity (gr. @ max. lb. salt dose) | 30,200 @ 11.3 | 40,100 @ 14.8 |
| Certified Flow Rate (gpm @ psi) | 11 @ 8 | 12 @ 13 |
| Intermittent Flow Rate (gpm @ psi) ¹ | 16.5 @ 15 | 13.6 @ 15 |
| Intermittent Flow Rate (gpm @ psi) ¹ | 25.8 @ 30 | 21.6 @ 30 |
| Patented Resin Bed #5464532 (lbs.) | 47.1 | 62.5 |
| Quartz Gravel Base (lbs.) | 10 | 10 |
| Maximum Water Hardness (grains per gallon) | 58 | 72 |
| Maximum Clear Water Iron (ppm-Fe) ² | 12 | 15 |
| Approximate Water Used Each Regeneration (gal.) ³ | 32 | 42 |
| Salt Storage Capacity (lbs.) | 200 | 300 |
| Supply Water Pressure Limits (psi) ⁴ | 20 – 125 | 20 – 125 |
| Supply Water Temperature Limits (°F) | 40 – 120 | 40 – 120 |
| Ambient Temperature Range (°F) | 35 – 150 | 35 – 150 |
| Plumbing Connection Provided (inches) | 1 to 1 ^{1/2} | 1 to 1 ^{1/2} |
| Electrical Rating (transformer provided) | 24V-50/60Hz | 24V-50/60Hz |

¹Intermittent flow rate does not represent the maximum service flow rate used for determining the softener's rated capacity and efficiency. Continuous operation at flow rates greater than the certified flow rate may affect capacity and efficiency performance. The validity of these flow rates is verified by NSF.

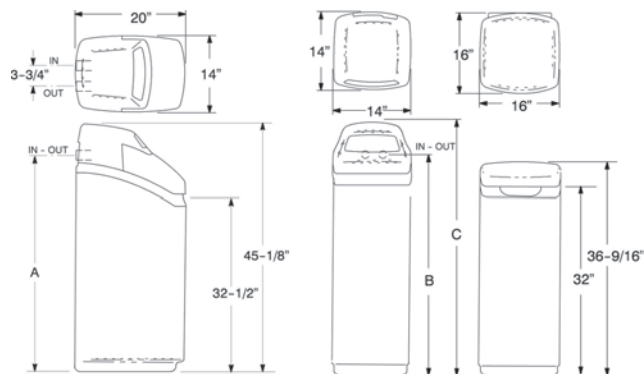
²Increased amounts of clear water iron can reduce softeners efficiency. Refer to owner's manual for details. Wisconsin requires additional treatment if water supply contains greater than 5 ppm clear water iron.

³When operated at 35 psi water pressure

⁴Maximum pressure for Canadian use is 7.0 Kg/cm²

Dimensions

| | ESS 2000R30 | ESS 2002R40 |
|-------------------------|----------------|----------------|
| Nominal Resin Tank Size | 10" Dia. x 35" | 10" Dia. x 47" |
| A | 39.5" | - |
| B | - | 51.3" |
| C | - | 56.63" |



Your Authorized EcoWater Dealer:



Powered by an ENERGY STAR® qualified adapter for a better environment



EcoWater Canada Ltd. 5240 Bradco Blvd. Mississauga, Ontario Canada L4W 1G7

850698

02/08

Printed in Canada

EcoWater Canada Ltd.

ECOWATER.CA